

CT24200

5W Half Bridge on 65n

Status

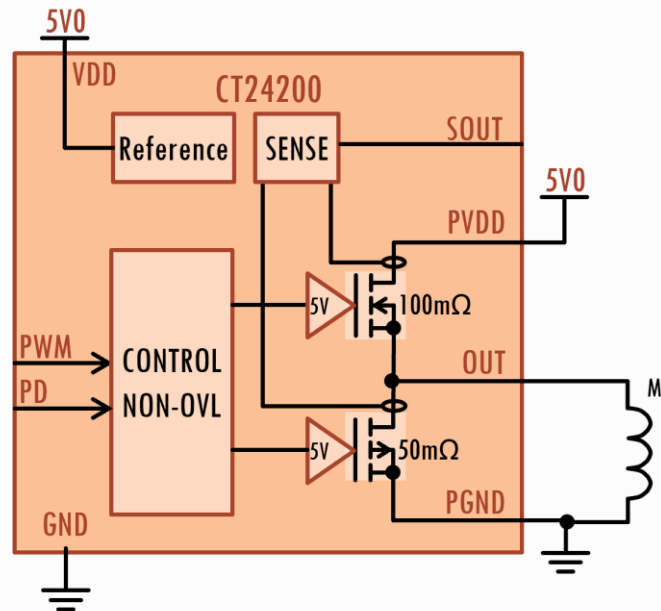
- Silicon Proven on TSMC 65n 5V-CMOS
- Easy portability

Deliverables

- Datasheet
- Integration guidelines
- Test Specifications
- GDS2 and LVS Netlist
- Footprint (.LEF)

Applications

- DC and stepper motor drivers
- Relays and solenoids control
- High-current loads in positive-supply application



Features

- 65nm - 5V Option Process
- Operating Voltage: 2.5V
- Power Voltage: 5V
- Max Current: 1A
- Integrated low ohmic Switch
- Accurate Current Sensing
- Integrated ESD Protection

Description

CT24200 is a specialized high power half-bridge with low ohmic integrated switch, realized in 65nm technology-HV option.

It includes a current sense section, which output is proportional to the current flowing in the closed switch.

Frequently-Asked Questions

FAQs

Q: May I ask Canova Tech to migrate the IPs to a different manufacturing foundry and process?

A: Yes, you can. Our business model includes porting of the IPs to you preferable silicon foundry supplier.

Q: May I ask Canova Tech to develop custom and dedicated analog and/or digital on top of the IPs?

A: Yes, you can. Our business model includes custom and dedicated Design Services to facilitate the integration of our IPs into your chip architecture. This business model includes the possibility for you to assign Canova the responsibility for design of a complete integrated circuit (GDS IP) based upon our IPs and your requirements.

Q: Which options do I have for licensing the Canova Tech silicon IPs solution?

A: You can have several licensing options which includes:

- single-use/multiple-use license: the IPs (single or in bundle) are delivered as object-code and licensed for the use on a well-defined product code (single-use) or for unlimited product codes (multiple-use).
- manufacturing license: here Canova Tech can develop your entire product, based upon our IPs (single or in bundle) and your product specifications. The GDS IP is licensed and delivered to you (including all necessary documentation and support) for you to manufacture your product and brand it.

Q: What kind of Support and IP Maintenance will I get from Canova?

A: You will get all required Support and IP Maintenance to ensure proper IP integration into your products for 12 months following the IP licensing. You can then subscribe, at your option, annual renewals of the Support and Maintenance agreement.